

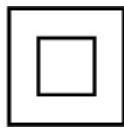
JC080111

Skytile TP(a) UGR

Skytile 600x600mm 30W IP44 5700K 3000lm Tp(a) UGR <19 DSI

Features & Benefits

- Meets TP(a) requirements, suitable for all applications
- UGR <19 as standard, designed to comply with BS EN 12464-1 lighting of workspace
- Ultra efficient 100LpcW
- DALI/1-10V and DSI Dimming versions available
- IP44 protection against dust and moisture
- Comes with non-dimmable flicker free driver as standard
- Suspension kits and surface mount boxes available
- Suitable for use with JCEM002 and JCEM002ST emergency remote packs



General Information

| | |
|------------------------------|---|
| Mounting | Recessed |
| Trade Name | Skytile |
| Environment | Indoor |
| Suitable For Zones | Outside zone 1 |
| Product Group | LED - Recessed |
| Color Finish | White |
| Product Shape | Square |
| Product Range | Skytile |
| Overall Dimensions | 595 x 595 x 9.8 mm |
| Length (mm) | 595 |
| Width (mm) | 595 |
| Height (mm) | 9.8 |
| Product Weight(kg) | 2.1 |
| Light Source | LED |
| Light Source Features | Cool White |
| Additional Information | Not fire rated |
| Luminaire Accessories | Skytile surface mount tray(JC71262) Suspension kit (JC71311) |
| Recommended product location | indoor use only, T grid ceiling systems |

| | |
|----------------------------------|---|
| Minimum Void Requirement | 150mm |
| Method of fix | sits in 15mm and 25mm ceiling grid system |
| Distance from lighted object | 0.3m |
| IP Rating | IP44 |
| Origin of manufacturer | Made in China |
| Warranty | 5 Year Warranty (inc 2 year on site)(See Website for terms and conditions) |
| Dimming Protocol Compatibility | DSI |
| Suspension kit safe working load | 20kg |
| Driver manufacturer | Tridonic |
| LED manufacturer/type | Runlite 4014 |
| Lighting Product Type 1 | Troffer |
| Customs Tariff code** | 9405119090 |

Electrical

| | |
|--------------------------------------|---------------------------------|
| Voltage Rating | 220-240 |
| Primary Running Current(Amp) | 0.132-0.224 |
| Inrush current(Amps) | <28 |
| Operating Frequency Hz | 50/60Hz |
| Secondary running current(mA) | 700 |
| Constant Current or Constant Voltage | CC |
| Luminaire Circuit Wattage | 30 |
| Class | II |
| Output Voltage Max/Range (VDC) | 25-50 |
| Total Harmonic Distortion (THD)% | 5 |
| EMC Compliant (EN55015) | Yes |
| Power Factor Correction | 0.98 |
| Input Electrical Connections | Live(brown)Neutral(blue) |
| Dimmable | DSI |

Thermals

| | |
|--------------------------------|--------------------------------------|
| Thermal Cut Out | yes, auto recovery |
| Insulation Coverage | do not cover |
| Minimum Free Air Space | 100mm above and 50mm to sides |
| Minimum Void Requirement | 150mm |
| Operating Temperature Range °C | -25 to +50 |

Performance Data

| | |
|---|--|
| LED Life (Hours)* | 54000 |
| Energy Rating | This product contains a light source of energy efficiency class F |
| Actual Lumen Output | 3000 |
| Lumens Per Circuit Watt | 100 LpcW |
| Standard Deviation Colour Matching - SDCM | <6 |
| Color Rendering Index | 80-89 |

| | |
|------------------------------|--------------|
| CRI: Ra | 80 |
| Correlated Color Temperature | 5700K |
| Beam Angle ° | 90 |
| LOR (Light Output Ratio) % | 100 |
| Photometry Available | Yes |

Controls and Sensors

| | |
|---------------------|------------|
| Overload protection | Yes |
|---------------------|------------|

Construction

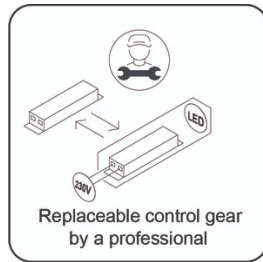
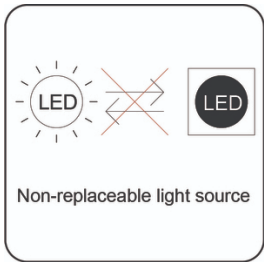
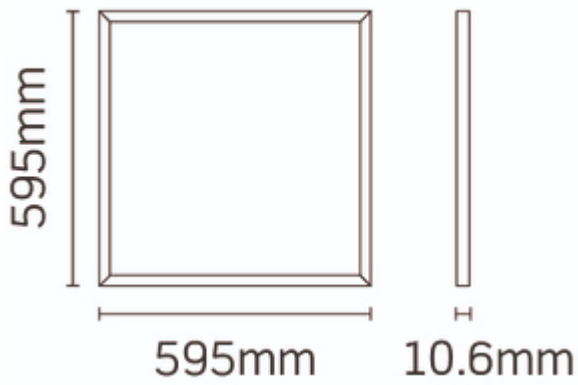
| | |
|------------------|--|
| Primary Material | Aluminium |
| Inner Diffuser | Methylmethacrylate-Styrene (MS) |
| Outer Diffuser | Polystyrene (PS) |
| Heat Sink | Aluminium |
| Driver Housing | Polycarbonate |

Packaging

| | |
|-------------------------------------|-----------------------|
| Quantity Per Outer Carton | 5 |
| Outer carton(L)- cm | 67 |
| Outer carton(W)- cm | 22.5 |
| Outer carton(H)- cm | 71 |
| Outer carton Net weight- kg | 12.5 |
| Outer carton Gross weight- kg | 13.5 |
| Product Bar Code EAN-13 Number | 5052544116650 |
| Outer carton Bar Code ITF-14 Number | 15052544116657 |

Standards & Approvals

| | |
|-------------------------------|---|
| Manufactured in accordance to | BS EN 60598-2-2 |
| CE Marked | Yes |
| UKCA Marked | Yes |
| Date code/Purchase order No. | Yes |
| WEEE symbol | Yes |
| Certificate Of Conformity | Available on request |
| Accredited Members | LIA, ISO9001-2015, ISO14001-2015 |



*Hours life stated is an indication of expected L70 chip and light output calculations when operating in optimum conditions. Product warranty period supports the full product during the term given. The L70 hours expectancy is not correlated with the full product warranty term, nor is it a representation of lumen depreciation during the warranty period.

**JCC Lighting Limited makes every effort to ensure that the Customs Tariff information in this document is timely and accurate. However, it's not possible for us to assure the absolute veracity and completeness of that information, as errors may occur. The placement of any inaccurate tariff information is completely unintentional. JCC Lighting Limited reserves the right, in its sole discretion, to correct any errors or omissions to the tariff code and to make any and all changes contained in this document at any time and without notice. It is the sole responsibility of the importer to ensure that the commodity code advised is correct for the products/goods being supplied by JCC Lighting Limited. JCC Lighting Limited does not assume any liabilities, losses, costs, and expenses arising out of or related to the importers use of this commodity code or the information related to the import of any JCC Lighting products.

JCC Lighting LTD, Lux Park, Chichester Business Park, City Fields Way, Tangmere, Chichester, West Sussex, PO20 2FT.
Sales: 01243 838999 (8am to 5pm Monday to Friday) Fax: 01243 838998 | sales@jcc.co.uk | www.jcc.co.uk
Company Registration Number: 03044848 | VAT Number: 918544112

This document is uncontrolled if printed, all information is subject to change

Version 144 [20/01/2025]